



MY21 **LIFESTYLE** GEOMETRY

INDEX

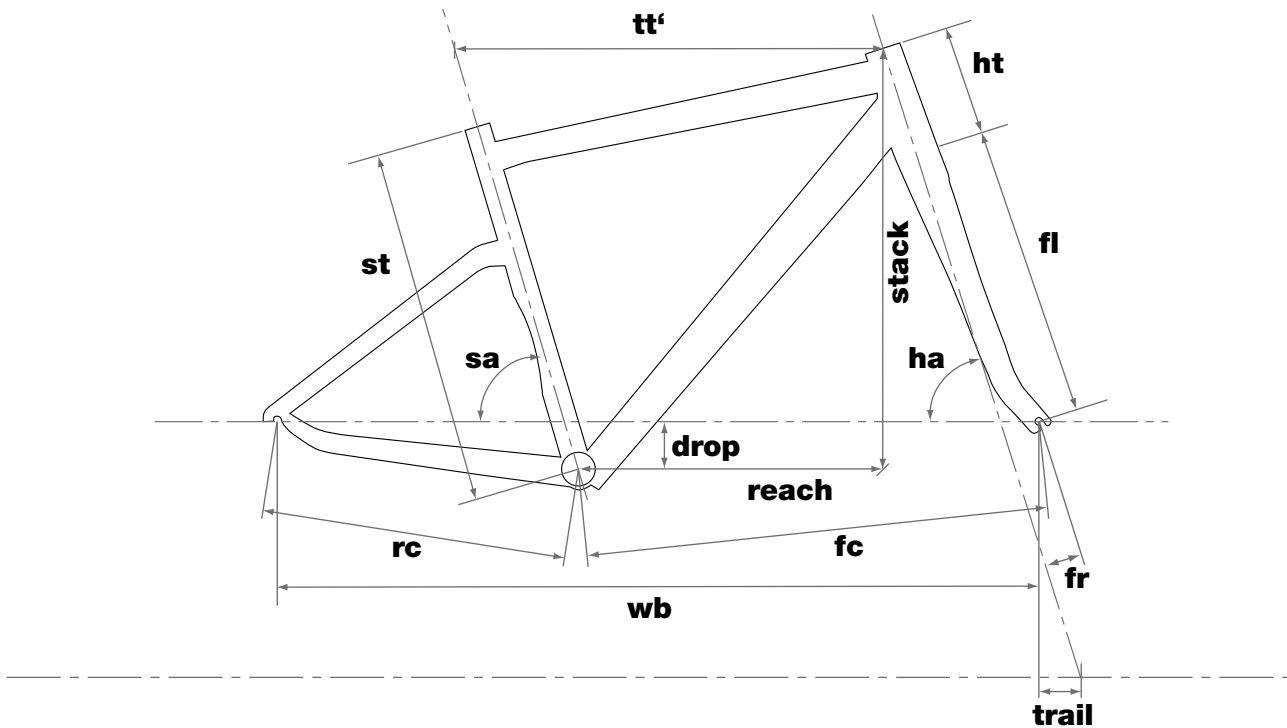
ALPENCHALLENGE 01

2

ALPENCHALLENGE

3

ALPENCHALLENGE 01 Geometry

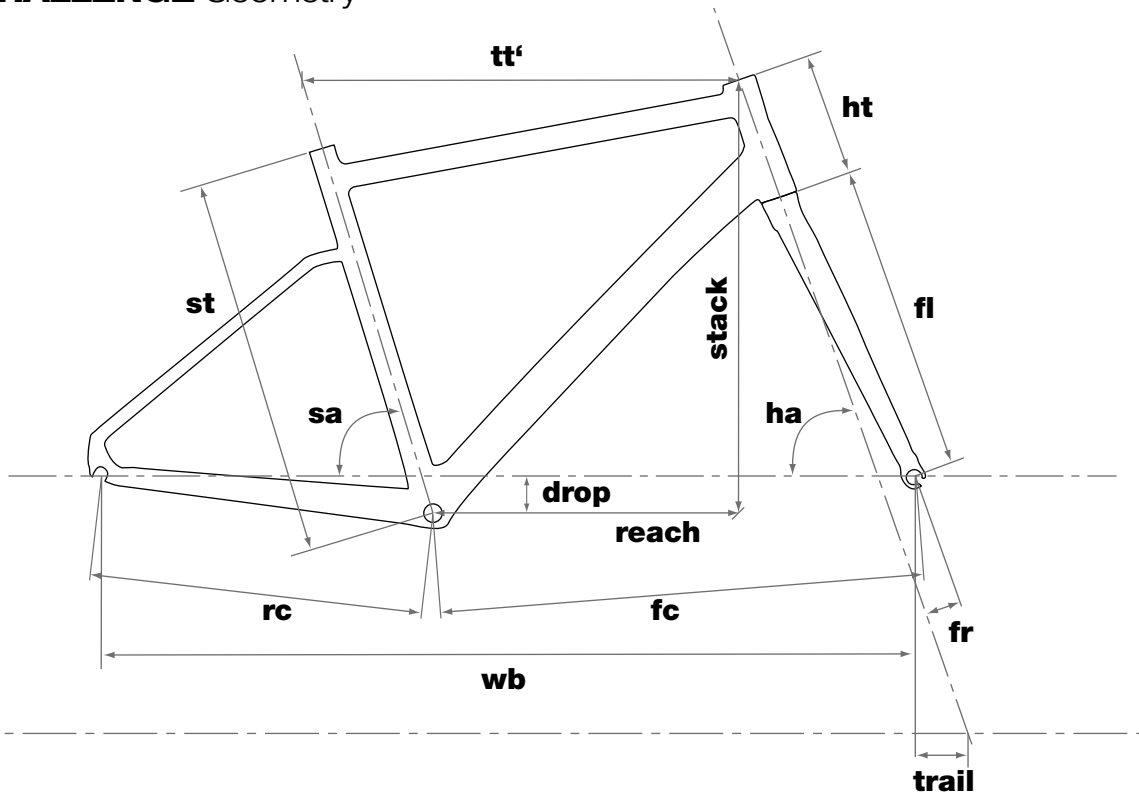


Unless otherwise indicated, all measurements are given in mm.

Size	S	M	L	XL
Rider Height cm	<168	168-180	178-190	>190
Stack	533	571	590	628
Reach	390	406	415	431
Seat Tube (st)	440	485	515	560
Top Tube (tt')	547	575	590	617
Head Tube (ht)	100	140	160	200
Seat Angle ° (sa)	73.5	73.5	73.5	73.5
Head Angle ° (ha)	72	72	72	72
Rear Center (rc)	412	412	412	412
Front Center (fc)	591	620	635	663
Wheelbase (wb)	992	1022	1037	1075
BB Drop (drop)	71	71	71	71
Fork Length (fl)	400	400	400	400
Fork Rake (fr)	45	45	45	45
Trail	63	63	63	63
Crank Length	170	170	175	175
Stem Length	80	80	90	90
Stem Angle ° (Version Belt Drive)	-5	-5	-5	-5
Stem Angle ° (Version Chain Drive)	±8	±8	±8	±8
Bar Width (Version Belt Drive)	620	620	620	620
Bar Width (Version Chain Drive)	600	600	600	600
Bar Rise	0	0	0	0
Bar Sweep °	9	9	9	9
Seatpost Length	350	350	350	350
Seatpost Offset	10	10	10	15
Seatpost Drop				
Standover Height	724	767	787	828

[> Back to Index](#)

ALPENCHALLENGE Geometry



Unless otherwise indicated, all measurements are given in mm.

Size	S	M	L	XL
Rider Height cm	<168	168-180	178-190	>190
Stack	530	571	591	630
Reach	390	405	415	430
Seat Tube (st)	440	510	560	610
Top Tube (tt')	552	585	601	634
Head Tube (ht)	122	165	187	228
Seat Angle ° (sa)	73	72.5	72.5	72
Head Angle ° (ha)	71	71	71	71
Rear Center (rc)	436	436	436	436
Front Center (fc)	608	637	654	682
Wheelbase (wb)	1039	1068	1085	1113
BB Drop (drop)	50	50	50	50
Fork Length (fl)	405	405	405	405
Fork Rake (fr)	48	48	48	48
Trail	68	68	68	68
Crank Length (Version Belt Drive)	170	170	170	170
Crank Length (Version Chain Drive)	170	170	175	175
Stem Length	90	90	100	100
Stem Angle°	±8	±8	±8	±8
Bar Width	600	600	600	600
Bar Rise	0	0	0	0
Bar Sweep°	9	9	9	9
Seatpost Length	350	350	350	350
Seatpost Offset	15	15	15	15
Seatpost Drop				
Standover Height	740	797	828	863

[> Back to Index](#)