

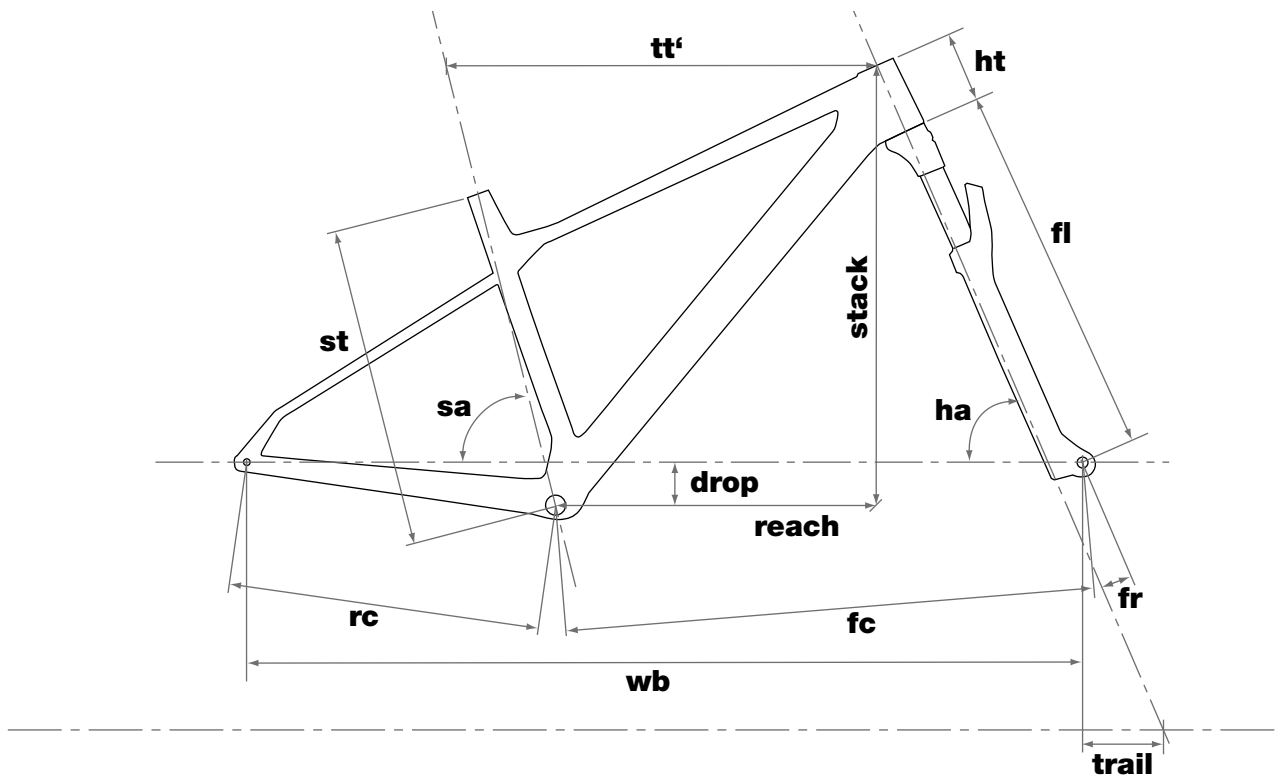


MY21 **MOUNTAIN BIKE** GEOMETRY

INDEX

| | |
|-------------------------|---|
| TWOSTROKE 01 | 2 |
| TWOSTROKE AL | 3 |
| FOURSTROKE 01 | 4 |
| FOURSTROKE 01 LT | 5 |
| SPEEDFOX | 6 |
| SPEEDFOX AL | 7 |
| BLAST 27 | 8 |
| BLAST 24 & 20 | 9 |

TWOSTROKE 01 Geometry

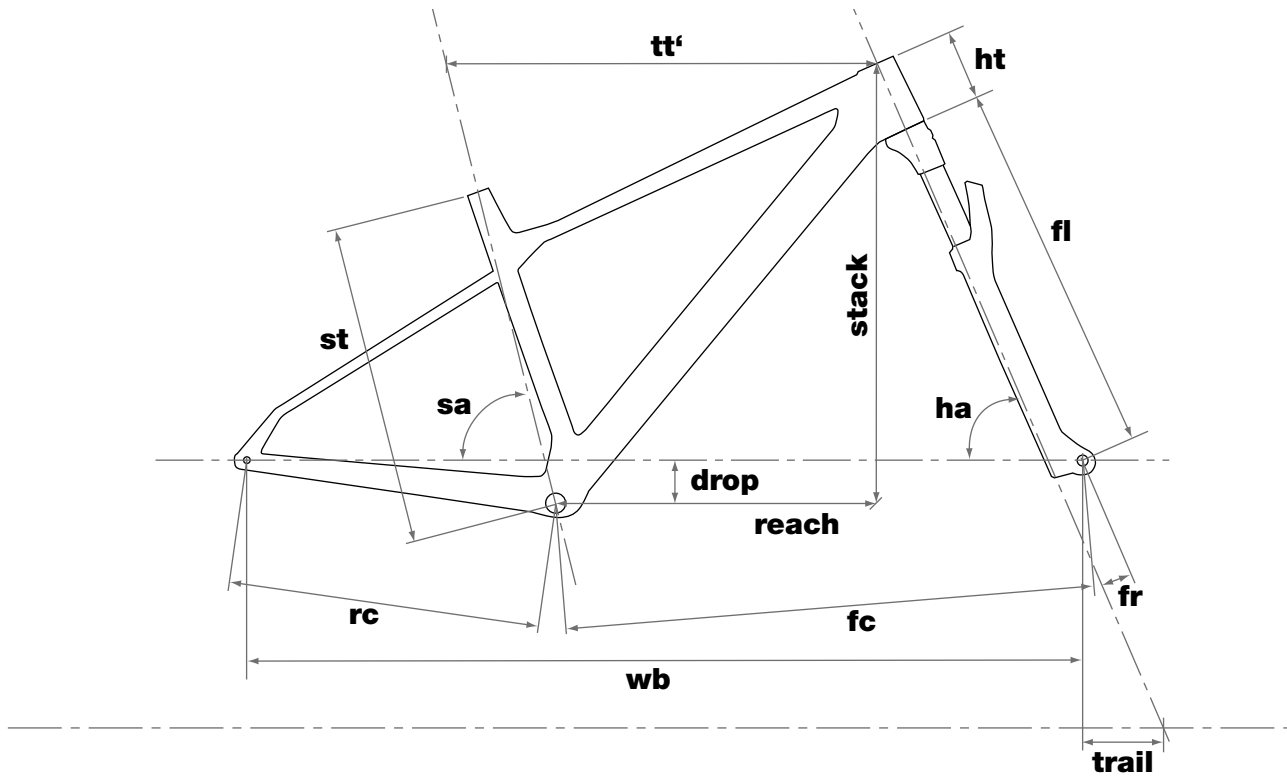


Unless otherwise indicated, all measurements are given in mm.

| Size | S | M | L | XL |
|---------------------------|---------|---------|---------|-------|
| Rider Height cm | 162-172 | 170-180 | 178-188 | >188 |
| Stack | 588 | 598 | 608 | 623 |
| Reach | 422.5 | 445 | 465 | 485 |
| Seat Tube (st) | 410 | 440 | 480 | 510 |
| Top Tube (tt') | 597 | 618 | 638 | 658 |
| Head Tube (ht) | 87 | 93.5 | 106 | 122.5 |
| Seat Angle ° (sa) | 75 | 75 | 75 | 75 |
| Head Angle ° (ha) | 67 | 67 | 67 | 67 |
| Rear Center (rc) | 425 | 425 | 425 | 425 |
| Front Center (fc) | 696 | 715 | 741 | 767 |
| Wheelbase (wb) | 1112.5 | 1135 | 1161 | 1185 |
| BB Drop (drop) | 64 | 64 | 64 | 64 |
| Fork Length (fl) | 505 | 505 | 505 | 505 |
| Fork Rake (fr) | 44 | 44 | 44 | 44 |
| Trail | 109 | 109 | 109 | 109 |
| Crank Length | 170 | 175 | 175 | 175 |
| Stem Length | 50 | 60 | 60 | 70 |
| Stem Angle° | -5 | -5 | -5 | -5 |
| Bar Width (MFB01) | 760 | 760 | 760 | 760 |
| Bar Rise (MFB01) | 4 | 4 | 4 | 4 |
| Bar Sweep° (MFB01) | 8 | 8 | 8 | 8 |
| Seatpost Length | 380 | 430 | 430 | 430 |
| Seatpost Offset | 0 | 0 | 0 | 0 |
| Seatpost Drop | | | | |
| Standover Height | 725 | 730 | 735 | 750 |

[> Back to Index](#)

TWOSTROKE AL Geometry

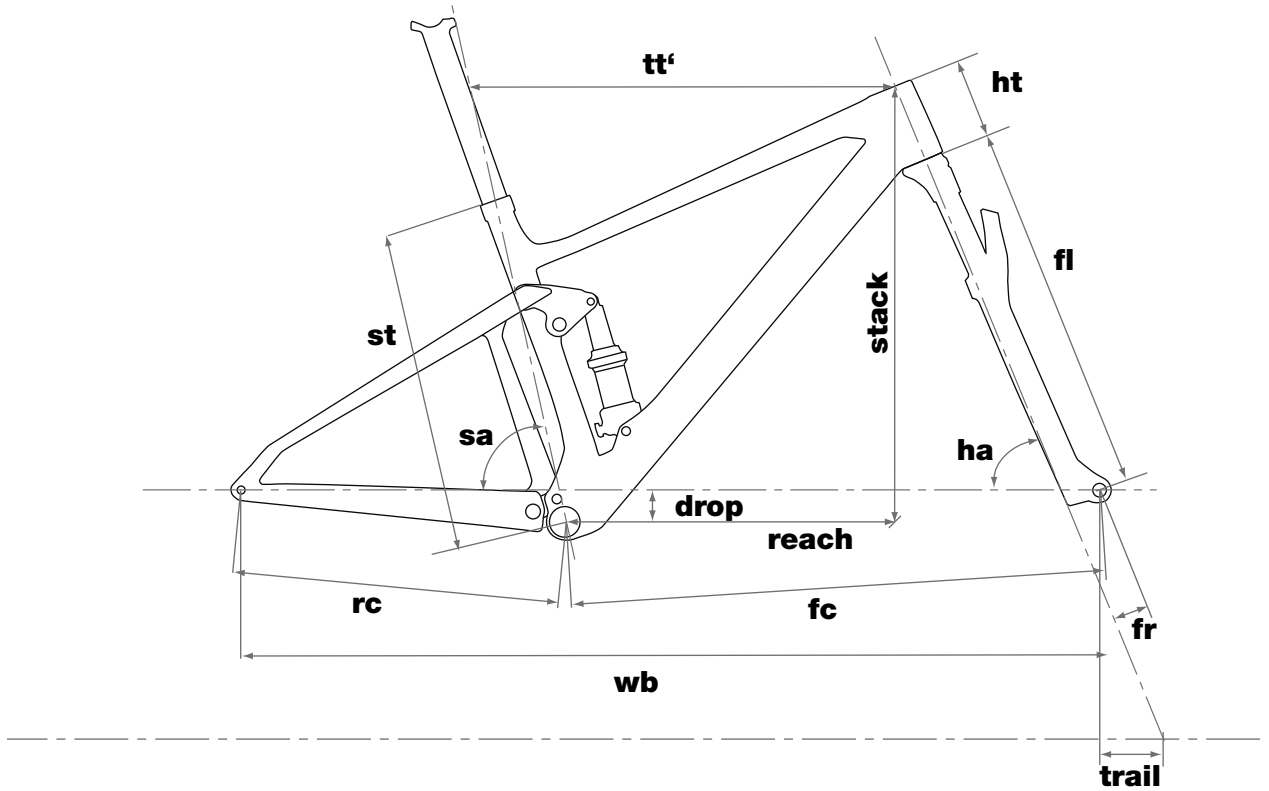


Unless otherwise indicated, all measurements are given in mm.

| Size | S | M | L | XL |
|---------------------------|--------|---------|---------|-------|
| Rider Height cm | <170 | 170-182 | 180-192 | >190 |
| Stack | 588 | 598 | 608 | 623 |
| Reach | 422.5 | 445 | 465 | 485 |
| Seat Tube (st) | 410 | 440 | 480 | 510 |
| Top Tube (tt') | 597 | 618 | 638 | 658 |
| Head Tube (ht) | 87 | 93.5 | 106 | 122.5 |
| Seat Angle ° (sa) | 75 | 75 | 75 | 75 |
| Head Angle ° (ha) | 67 | 67 | 67 | 67 |
| Rear Center (rc) | 425 | 425 | 425 | 425 |
| Front Center (fc) | 696 | 715 | 741 | 767 |
| Wheelbase (wb) | 1112.5 | 1135 | 1161 | 1185 |
| BB Drop (drop) | 64 | 64 | 64 | 64 |
| Fork Length (fl) | 505 | 505 | 505 | 505 |
| Fork Rake (fr) | 44 | 44 | 44 | 44 |
| Trail | 109 | 109 | 109 | 109 |
| Crank Length | 170 | 175 | 175 | 175 |
| Stem Length | 60 | 60 | 60 | 70 |
| Stem Angle° | ±5 | ±5 | ±5 | ±5 |
| Bar Width (MFB03) | 750 | 750 | 750 | 750 |
| Bar Rise (MFB03) | 4 | 4 | 4 | 4 |
| Bar Sweep° (MFB03) | 9 | 9 | 9 | 9 |
| Seatpost Length | 350 | 400 | 400 | 400 |
| Seatpost Offset | 0 | 0 | 0 | 0 |
| Seatpost Drop | | | | |
| Standover Height | 725 | 730 | 735 | 750 |

[> Back to Index](#)

FOURSTROKE 01 Geometry

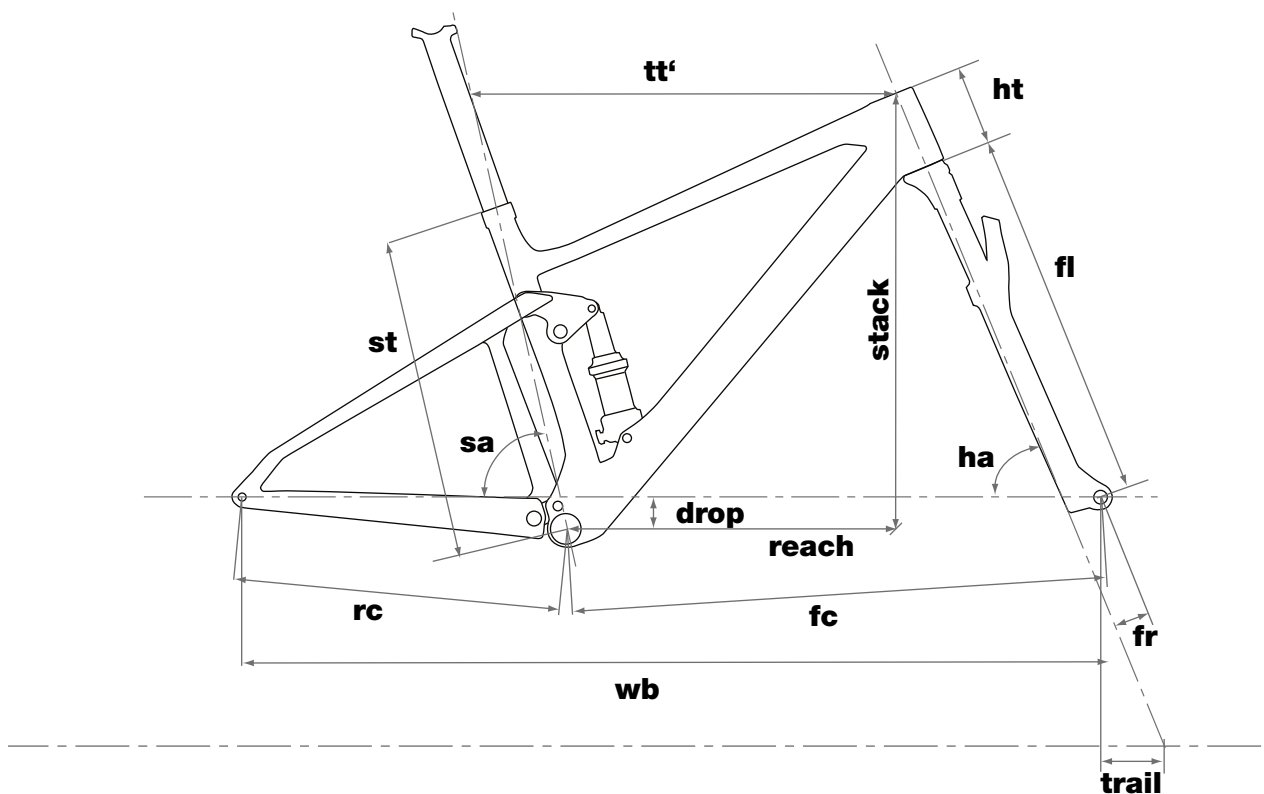


Unless otherwise indicated, all measurements are given in mm.

| Size | S | M | L | XL |
|----------------------------|---------|---------|---------|---------|
| Rider Height cm | <172 | 172-182 | 180-188 | >188 |
| Stack | 580 | 590 | 600 | 615 |
| Reach | 423 | 445 | 465 | 485 |
| Seat Tube (st) | 420 | 440 | 480 | 510 |
| Top Tube (tt') | 582 | 607 | 630 | 654 |
| Head Tube (ht) | 96 | 107 | 117 | 134 |
| Seat Angle ° (sa) | 75.6 | 75.6 | 75.6 | 75.6 |
| Head Angle ° (ha) | 67.5 | 67.5 | 67.5 | 67.5 |
| Rear Center (rc) | 429 | 429 | 429 | 429 |
| Front Center (fc) | 700 | 726 | 750 | 777 |
| Wheelbase (wb) | 1129 | 1155 | 1180 | 1206 |
| BB Drop (drop) | 44 | 44 | 44 | 44 |
| Fork Length (fl) | 506 | 506 | 506 | 506 |
| Fork Rake (fr) | 44 | 44 | 44 | 44 |
| Trail | 106.5 | 106.5 | 106.5 | 106.5 |
| Crank Length | 170 | 175 | 175 | 175 |
| Stem Length | 50 | 60 | 60 | 70 |
| Stem Angle° | -5 | -5 | -5 | -5 |
| Bar Width (MFB01) | 760 | 760 | 760 | 760 |
| Bar Rise (MFB01) | 4 | 4 | 4 | 4 |
| Bar Sweep° (MFB01) | 8 | 8 | 8 | 8 |
| Seatpost Length | | | | |
| Seatpost Offset | 0 | 0 | 0 | 0 |
| Seatpost Drop | 80 | 80 | 80 | 80 |
| Standover Height | 738 | 747 | 759 | 768 |
| Saddle Height Range | 655-745 | 700-790 | 740-830 | 770-860 |

[> Back to Index](#)

FOURSTROKE 01 LT Geometry

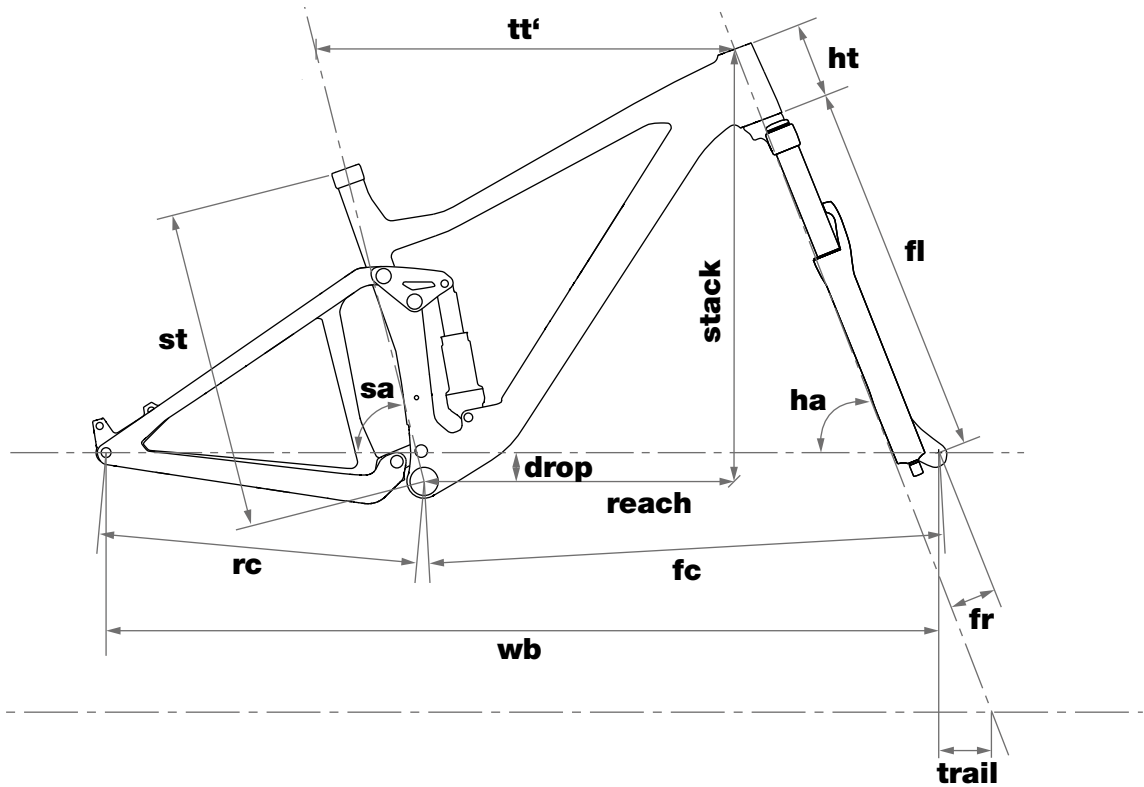


Unless otherwise indicated, all measurements are given in mm.

| Size | S | M | L | XL |
|---------------------|---------|---------|---------|---------|
| Rider Height cm | <172 | 172-182 | 180-188 | >188 |
| Stack | 586 | 596 | 606 | 622 |
| Reach | 415 | 440 | 456 | 476 |
| Seat Tube (st) | 420 | 440 | 480 | 510 |
| Top Tube (tt') | 582 | 607 | 630 | 654 |
| Head Tube (ht) | 96 | 107 | 117 | 134 |
| Seat Angle ° (sa) | 74.8 | 74.8 | 74.8 | 74.8 |
| Head Angle ° (ha) | 66.5 | 66.5 | 66.5 | 66.5 |
| Rear Center (rc) | 429 | 429 | 429 | 429 |
| Front Center (fc) | 700 | 726 | 750 | 777 |
| Wheelbase (wb) | 1129 | 1155 | 1180 | 1206 |
| BB Drop (drop) | 35 | 35 | 35 | 35 |
| Fork Length (fl) | 526 | 526 | 526 | 526 |
| Fork Rake (fr) | 44 | 44 | 44 | 44 |
| Trail | 112.5 | 112.5 | 112.5 | 112.5 |
| Crank Length | 170 | 175 | 175 | 175 |
| Stem Length | 50 | 50 | 60 | 60 |
| Stem Angle° | -5 | -5 | -5 | -5 |
| Bar Width (MFB01) | 760 | 760 | 760 | 760 |
| Bar Rise (MFB01) | 4 | 4 | 4 | 4 |
| Bar Sweep° (MFB01) | 8 | 8 | 8 | 8 |
| Seatpost Length | | | | |
| Seatpost Offset | 0 | 0 | 0 | 0 |
| Seatpost Drop | 80 | 80 | 80 | 80 |
| Standover Height | 742 | 751 | 763 | 772 |
| Saddle Height Range | 655-745 | 700-790 | 740-830 | 770-860 |

[> Back to Index](#)

SPEEDFOX Geometry

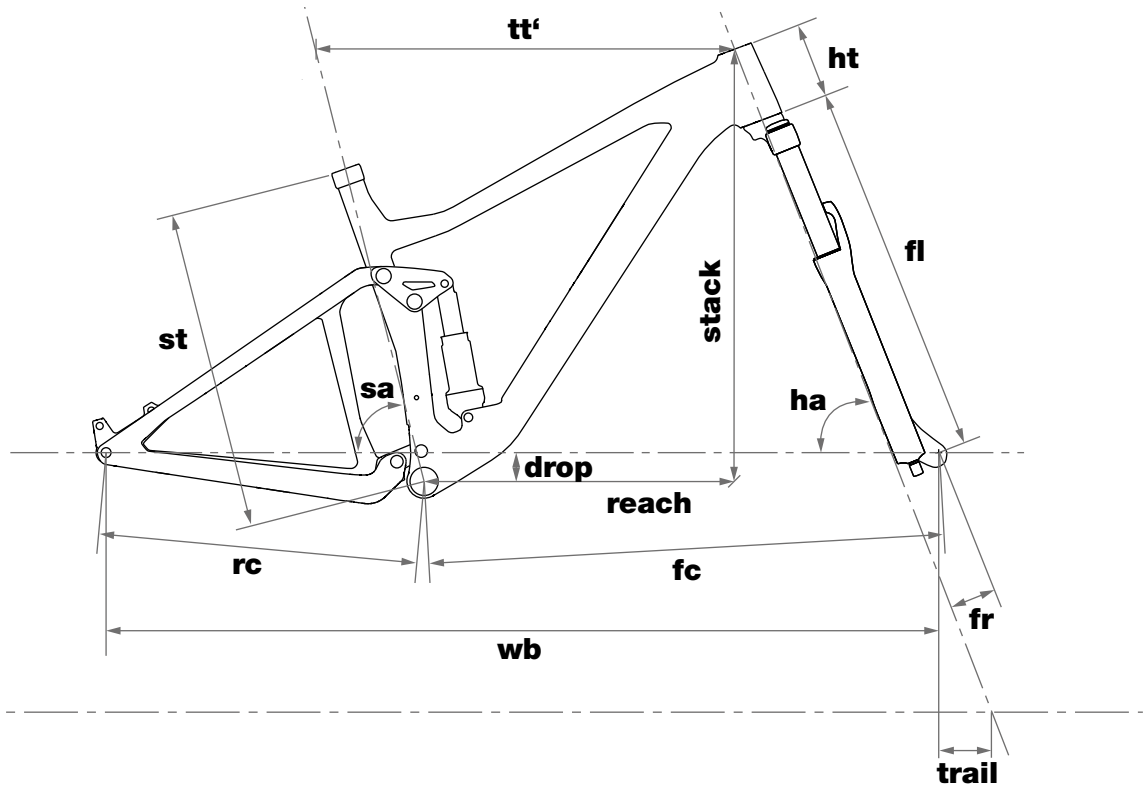


Unless otherwise indicated, all measurements are given in mm.

| Size | S | M | L | XL |
|---------------------------|-------|---------|---------|-------|
| Rider Height cm | <172 | 172-182 | 180-188 | >188 |
| Stack | 600 | 610 | 620 | 635 |
| Reach | 408 | 430 | 450 | 465 |
| Seat Tube (st) | 420 | 440 | 480 | 510 |
| Top Tube (tt') | 587 | 611 | 634 | 653 |
| Head Tube (ht) | 95 | 105 | 115 | 135 |
| Seat Angle ° (sa) | 73.75 | 73.75 | 73.75 | 73.75 |
| Head Angle ° (ha) | 68 | 68 | 68 | 68 |
| Rear Center (rc) | 445 | 445 | 445 | 445 |
| Front Center (fc) | 677 | 704 | 728 | 748 |
| Wheelbase (wb) | 1123 | 1145 | 1169 | 1189 |
| BB Drop (drop) | 37 | 37 | 37 | 37 |
| Fork Length (fl) | 526 | 526 | 526 | 526 |
| Fork Rake (fr) | 51 | 51 | 51 | 51 |
| Trail | 90 | 90 | 90 | 90 |
| Crank Length | 170 | 175 | 175 | 175 |
| Stem Length | 50 | 60 | 60 | 70 |
| Stem Angle° | -5 | -5 | -5 | -5 |
| Bar Width (MFB02) | 750 | 750 | 750 | 750 |
| Bar Rise (MFB02) | 4 | 4 | 4 | 4 |
| Bar Sweep° (MFB02) | 9 | 9 | 9 | 9 |
| Seatpost Length | 377 | 447 | 447 | 447 |
| Seatpost Offset | 0 | 0 | 0 | 0 |
| Seatpost Drop | 125 | 150 | 150 | 150 |
| Standover Height | 713 | 734 | 752 | 773 |

[> Back to Index](#)

SPEEDFOX AL Geometry

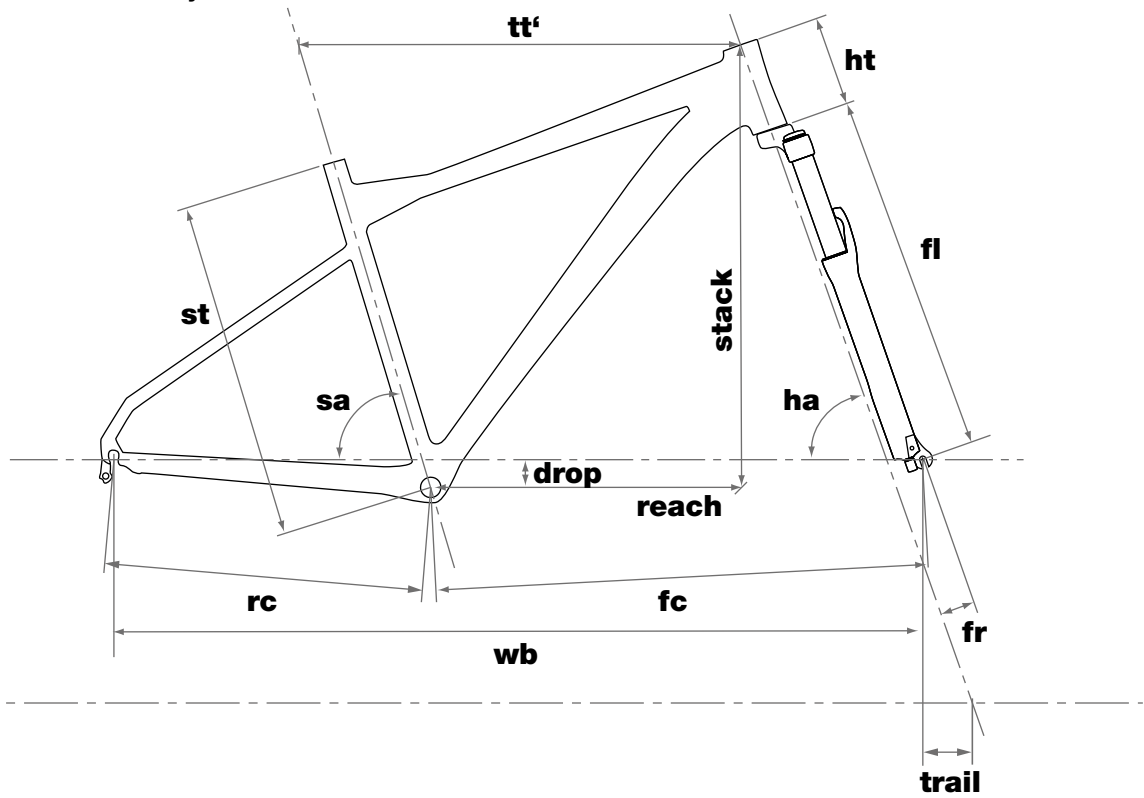


Unless otherwise indicated, all measurements are given in mm.

| Size | S | M | L | XL |
|---------------------------|-------|---------|---------|-------|
| Rider Height cm | <172 | 172-182 | 180-188 | >188 |
| Stack | 600 | 610 | 620 | 635 |
| Reach | 408 | 430 | 450 | 465 |
| Seat Tube (st) | 420 | 440 | 480 | 510 |
| Top Tube (tt') | 587 | 611 | 634 | 653 |
| Head Tube (ht) | 95 | 105 | 115 | 135 |
| Seat Angle ° (sa) | 73.75 | 73.75 | 73.75 | 73.75 |
| Head Angle ° (ha) | 68 | 68 | 68 | 68 |
| Rear Center (rc) | 445 | 445 | 445 | 445 |
| Front Center (fc) | 677 | 704 | 728 | 748 |
| Wheelbase (wb) | 1123 | 1145 | 1169 | 1189 |
| BB Drop (drop) | 37 | 37 | 37 | 37 |
| Fork Length (fl) | 526 | 526 | 526 | 526 |
| Fork Rake (fr) | 51 | 51 | 51 | 51 |
| Trail | 90 | 90 | 90 | 90 |
| Crank Length | 170 | 175 | 175 | 175 |
| Stem Length | 45 | 45 | 55 | 55 |
| Stem Angle° | ±5 | ±5 | ±5 | ±5 |
| Bar Width (MRB03) | 750 | 750 | 750 | 750 |
| Bar Rise (MRB03) | 15 | 15 | 15 | 15 |
| Bar Sweep° (MRB03) | 9 | 9 | 9 | 9 |
| Seatpost Length | 377 | 447 | 447 | 447 |
| Seatpost Offset | 0 | 0 | 0 | 0 |
| Seatpost Drop | 125 | 150 | 150 | 150 |
| Standover Height | 713 | 734 | 752 | 773 |

[> Back to Index](#)

BLAST 27 Geometry

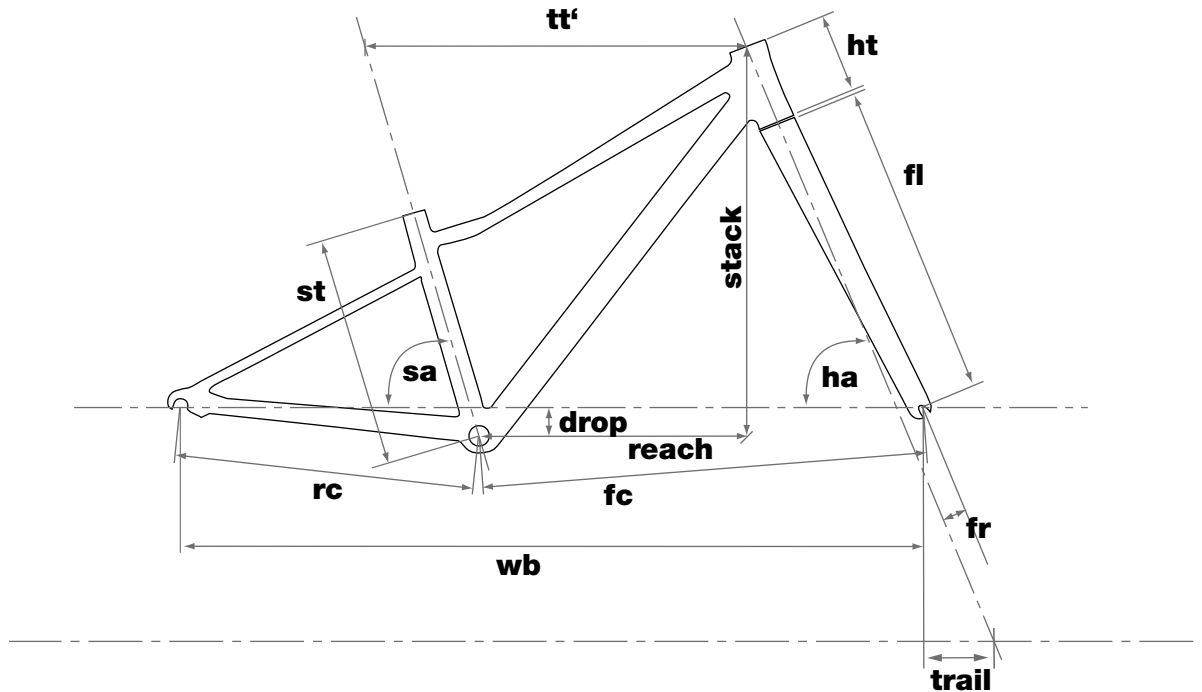


Unless otherwise indicated, all measurements are given in mm.

| Size | XS | S | M | L | XL |
|--------------------------|-------|---------|---------|---------|------|
| Rider Height cm | < 165 | 162-172 | 170-182 | 180-192 | >190 |
| Stack | 580 | 594 | 604 | 622 | 632 |
| Reach | 385 | 405 | 425 | 445 | 465 |
| Seat Tube (st) | 380 | 420 | 460 | 500 | 540 |
| Top Tube (tt') | 558 | 586 | 610 | 635 | 654 |
| Head Tube (ht) | 100 | 110 | 120 | 140 | 150 |
| Seat Angle ° (sa) | 73 | 73 | 73 | 73 | 73 |
| Head Angle ° (ha) | 70 | 70 | 70 | 70 | 70 |
| Rear Center (rc) | 435 | 435 | 435 | 435 | 435 |
| Front Center (fc) | 622 | 652 | 675 | 701 | 720 |
| Wheelbase (wb) | 1053 | 1083 | 1107 | 1133 | 1152 |
| BB Drop (drop) | 42 | 42 | 42 | 42 | 42 |
| Fork Length (fl) | 490 | 490 | 490 | 490 | 490 |
| Fork Rake (fr) | 42 | 42 | 42 | 42 | 42 |
| Trail | 82 | 82 | 82 | 82 | 82 |
| Crank Length | 170 | 170 | 175 | 175 | 175 |
| Stem Length | 70 | 70 | 70 | 70 | 90 |
| Stem Angle ° | ±7 | ±7 | ±7 | ±7 | ±7 |
| Bar Width | 700 | 700 | 700 | 700 | 700 |
| Bar Rise | 15 | 15 | 15 | 15 | 15 |
| Bar Sweep ° | 9 | 9 | 9 | 9 | 9 |
| Seatpost Length | 350 | 350 | 350 | 400 | 400 |
| Seatpost Offset | 0 | 0 | 0 | 0 | 0 |
| Seatpost Drop | | | | | |
| Standover Height | 704 | 744 | 766 | 779 | 825 |

[> Back to Index](#)

BLAST 24 & 20 Geometry



Unless otherwise indicated, all measurements are given in mm.

| Size | 24 | 20 |
|-------------------|---------|---------|
| Rider Height cm | 120-145 | 110-135 |
| Stack | 507 | 412 |
| Reach | 350 | 305 |
| Seat Tube (st) | 300 | 275 |
| Top Tube (tt') | 505 | 431 |
| Head Tube (ht) | 105 | 105 |
| Seat Angle ° (sa) | 73 | 73 |
| Head Angle ° (ha) | 68 | 68 |
| Rear Center (rc) | 392 | 342 |
| Front Center (fc) | 538 | 455 |
| Wheelbase (wb) | 972 | 833 |
| BB Drop (drop) | 40 | 40 |
| Fork Length (fl) | 412 | 307 |
| Fork Rake (fr) | 40 | 35 |
| Trail | 82 | 66 |
| Crank Length | 135 | 127 |
| Stem Length | 40 | 40 |
| Stem Angle° | ±6 | ±6 |
| Bar Width | 650 | 650 |
| Bar Rise | 20 | 20 |
| Bar Sweep° | 5 | 5 |
| Seatpost Length | 300 | 300 |
| Seatpost Offset | 15 | 15 |
| Seatpost Drop | | |
| Standover Height | 580 | 490 |